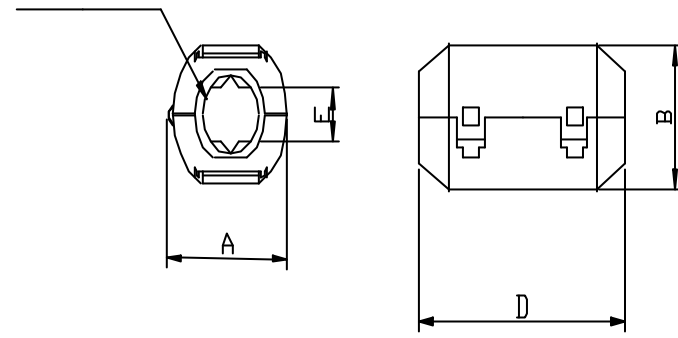


CF5A

dimensions

C(CORE F.D)

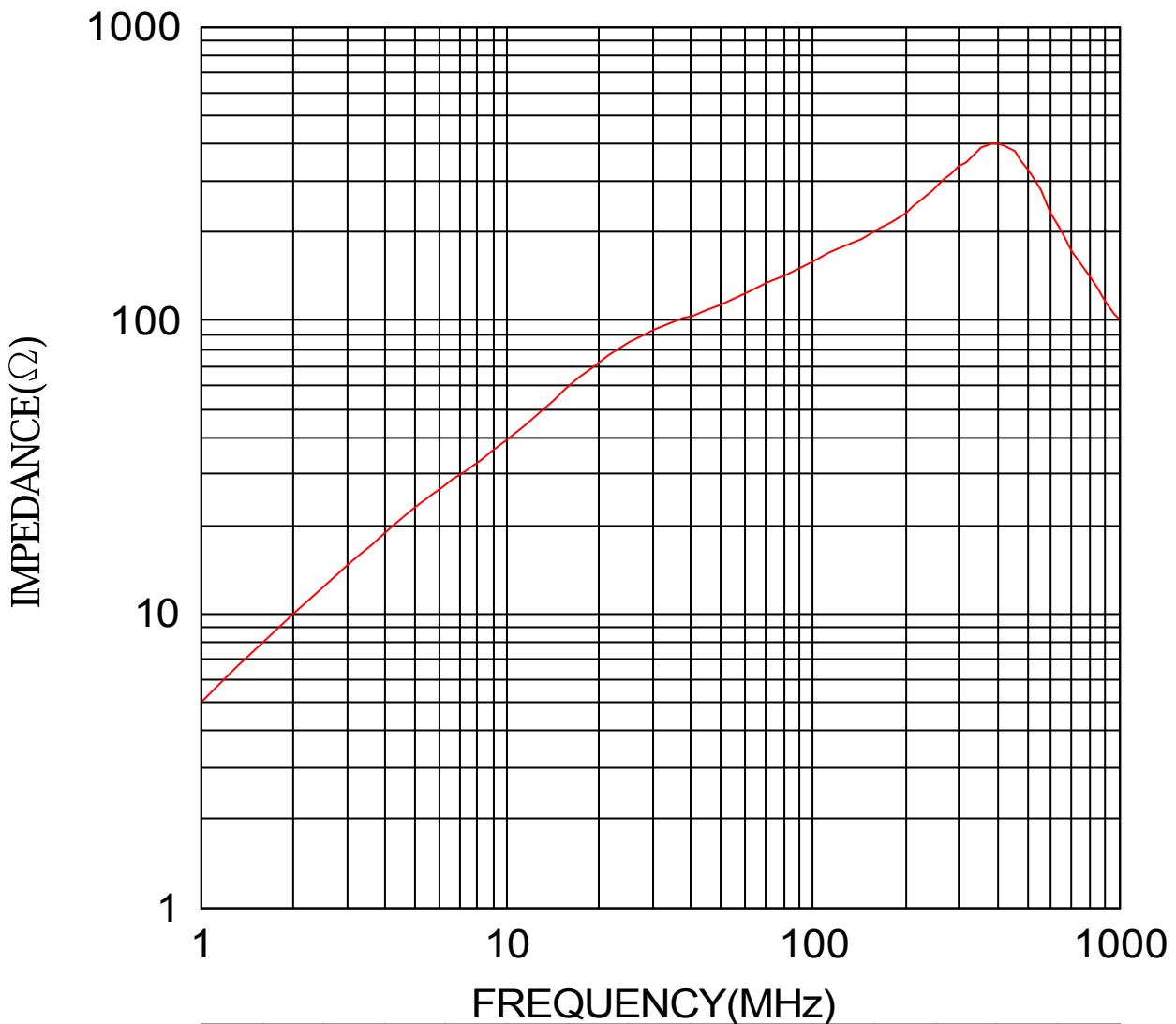


A	13.00	+ -	1.00	mm
B	11.80	+ -	1.00	mm
C	5.00	+ -	0.30	mm
D	25.50	+ -	1.00	mm
E	2.50	+ -	1.00	mm

Z - F response

1. TEST INSTRUMENT: HP4286A

2. WINDING: 0.65 Φ X100 mm 2 U.E.W 1TS



	1	5	10	25	50	100	200	300	400	500	600	700	800	900	1000
Z —	5	23	39	84	114	160	234	334	399	328	234	173	141	117	100

(DATA BETWEEN 500MHz AND 1000MHz ARE FOR REFERENCE ONLY)